

# ULTRA-SAFE™ Explosion-proof Duct Heaters

## Standard Construction

**Heat Exchanger** has copper tubes with integral aluminum fins. Each unit undergoes hydrostatic testing at 350 psig, five times the pressure relief valve setting of 70 psig.

**Heat Transfer Fluid** is propylene glycol, a non-toxic, rust-inhibiting fluid that provides freeze protection to  $-49^{\circ}\text{F}$  ( $-45^{\circ}\text{C}$ ). Its high heat transfer rate at 70 psig makes the heat exchanger suitable for gases that ignite at temperatures as low as  $320^{\circ}\text{F}$  ( $160^{\circ}\text{C}$ ). Thus every ULTRA-SAFE™ heater is rated for Temperature Code T3C.

**Industrial Grade Heating Elements**, built by INDEECO, are .475" (1.21 cm) diameter to provide extra insulation between the coil and sheath for high voltage protection.

**Frame** is heavy gauge galvanized steel, fitted with lifting lugs to facilitate installation.

**Four Levels of Safety** are provided on every heater: automatic and manual reset thermal cutouts, airflow interlock and pressure relief valve.

Two thermal cutouts limit the heat transfer fluid temperature, assuring thermal safety. The automatic reset operates a "primary" magnetic contactor. The manual reset operates a separate backup magnetic contactor. If either cutout opens, the entire heater is de-energized.

A fan relay, acting as an airflow interlock, prevents the heater from being energized unless the fan starter is on.

The pressure relief valve on the heat exchanger opens only if the thermal cutout system fails to prevent excessive temperatures.

**Standard Built-in Control Package** includes the following components mounted in a cast aluminum explosion-proof enclosure:

- De-energizing control and back-up magnetic contactors.
- 24V control circuit transformer.
- Fan relay, supplied with 24V or 120V holding coil to match the fan starter coil voltage.
- Terminal blocks for field power and control wiring.
- Grounding terminal.
- Supplemental fusing for heaters drawing more than 48 amps.

## Installation

Complete installation instructions are furnished with each heater. Following are some guidelines:

- The heater must be securely attached to external duct flanges.
- The heater must be adequately supported. If the duct flanges will not afford enough support, overhead hangers attached to the lifting lugs may be used for additional support.
- Each heater is suitable for a variety of duct sizes. See **Table XIX** on page 51 for maximum and minimum dimensions. Note that duct height and width can vary independently.
- Airflow must be horizontal. See page 47 for airflow requirements.

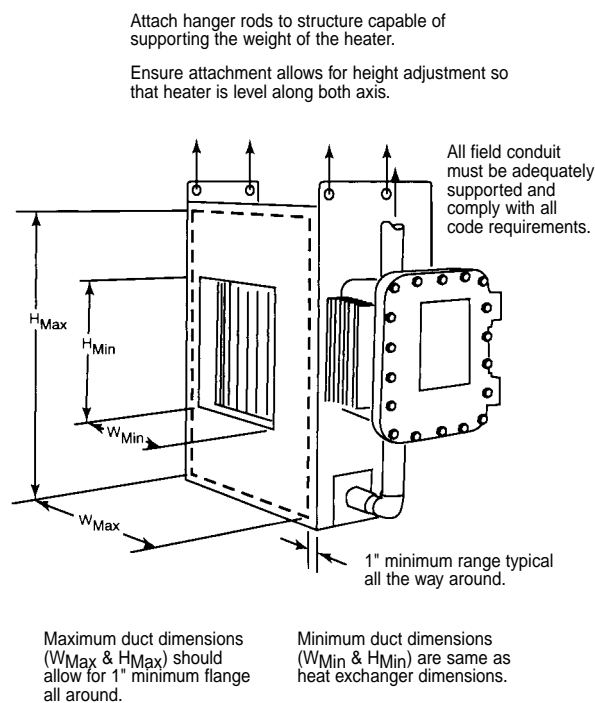


Figure 76. ULTRA-SAFE™ Mounting Configuration



Classes I and II, Division 1 and 2  
Groups B, C, D, F and G  
Temperature Code  
T3C,  $320^{\circ}\text{F}$  ( $160^{\circ}\text{C}$ )



Ratings Available  
• Up to 240 KW  
• Up to 600V



www.indeeco.com  
800-243-8162

# ULTRA-SAFE™ Explosion-proof Duct Heaters

## Temperature Control

**Single Stage Control** – For many lower KW applications, single stage on/off control is adequate. For higher KW ratings, solid-state SCR control is recommended.

**Solid-State SCR Control** – When temperature must be controlled precisely, or for larger KW heaters, built-in SCR's manufactured by INDEECO are recommended. They are furnished with field-selected inputs of 2200 or 135 ohms, 0-10 VDC, or 4-20 mA. SCR's have zero-cross firing to eliminate radio frequency interference.

To meet FM and CSA requirements, multi-unit designs (up to four heating units in series) also have controls set at 80°F (27°C) to limit the inlet air temperature to all but the inlet unit. These limit controls prevent excessive temperatures at the heater outlet as the inlet air temperature rises.

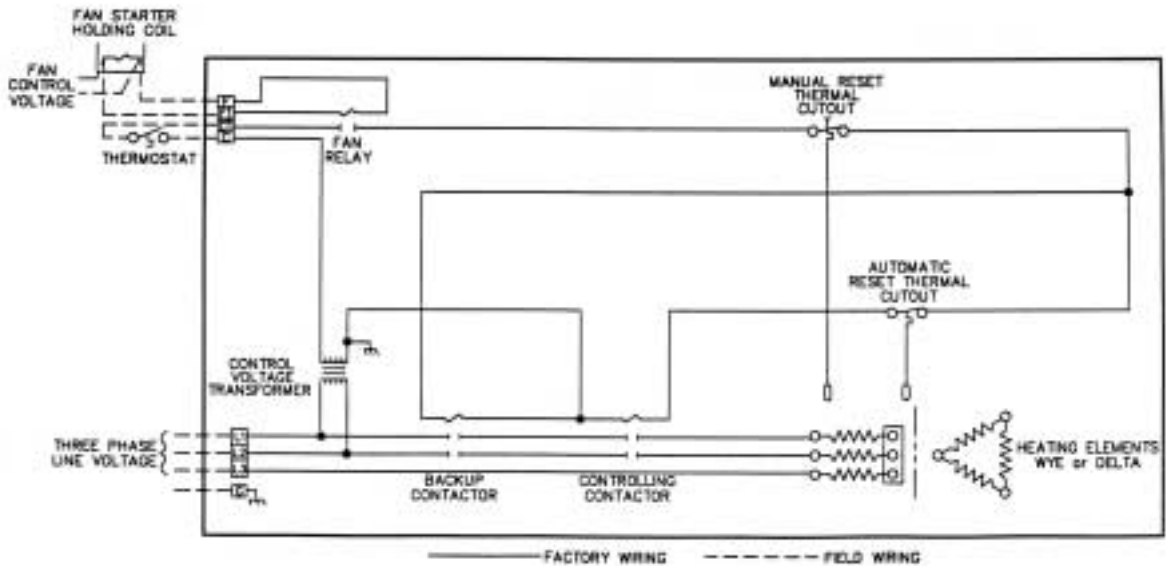


Figure 77. Heater with Single Stage Control

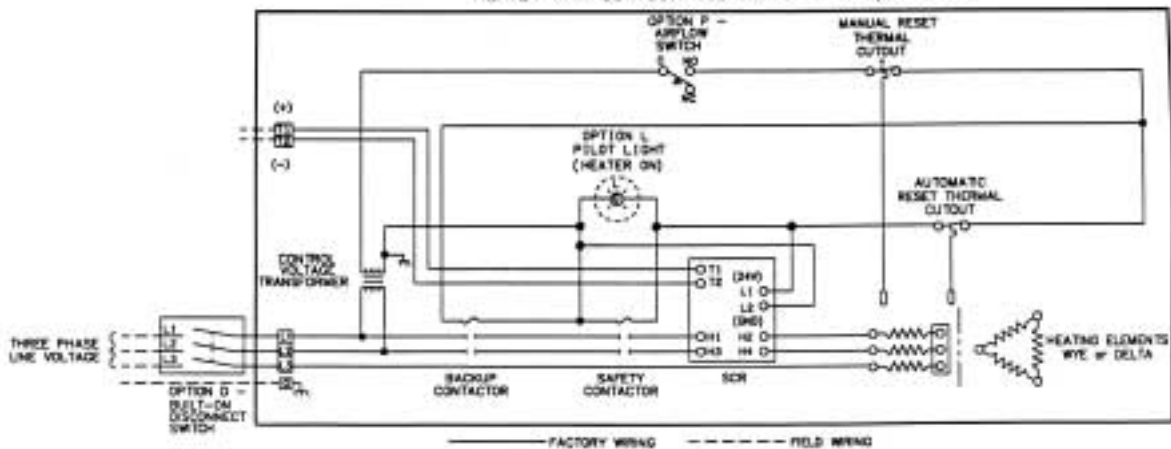


Figure 78. Heater with SCR Control and Options D, L and P

# ULTRA-SAFE™

## Explosion-proof Duct Heaters

**Table XIX**  
**Standard Heater Listing**

Catalog Number	Unit Size		KW Range		Inside Duct Dimensions(4) - in (cm)		Depth (3) in (cm)	Weight (3) lb (kg)
	Code	Fig.	Min.	Max.	Minimum(2) W X H	Maximum(1) W X H		
227F30A	A	79A	3	10	12 X 12 (30.5 X 30.5)	18 X 24 (45.7 X 61)	8	130
227F30G	G		6	20			16	260
227F30N	N		9	30			24	680
227F30U	U		12	40			32	710
227F30B	B		3	20	16.5 X 16 (41.9 X 40.6)	28 X 28 (71 X 71)	12	150
227F30H	H		6	40			24	300
227F30P	P		9	60			36	730
227F30V	V		12	80			48	770
227F30C	C		10	30	21 X 21 (53.3 X 53.3)	37 X 35 (94 X 89)	12	200
227F30J	J		20	60			24	400
227F30Q	Q		30	90			36	860
227F30W	W		40	120			48	940
227F30D	D	79B	6	20	24 X 12 (61 X 30.5)	36 X 24 (91 X 61)	12	260
227F30K	K		12	40			24	470
227F30R	R		18	60			36	970
227F30X	X		24	80			48	1090
227F30E	E		6	40	33 X 16 (83.8 X 40.6)	53 X 28 (135 X 71)	12	300
227F30L	L		12	80			24	550
227F30S	S		18	120			36	1080
227F30Y	Y		24	160			48	1240
227F30F	F		20	60	42 X 21 (106.7 X 53.3)	75 X 35 (191 X 89)	12	390
227F30M	M		40	120			24	730
227F30T	T		60	180			36	1350
227F30Z	Z		80	240			48	1600

- (1) Consult factory for availability of other maximum inside duct dimensions.
- (2) Use only Minimum W x H dimensions for minimum air velocity calculations (see page 47).
- (3) Depth and weights shown for catalog listed KW ratings. They will be greater for larger KW and non-catalog designs.
- (4) Duct height and width can vary independently of minimum and maximum dimensions.

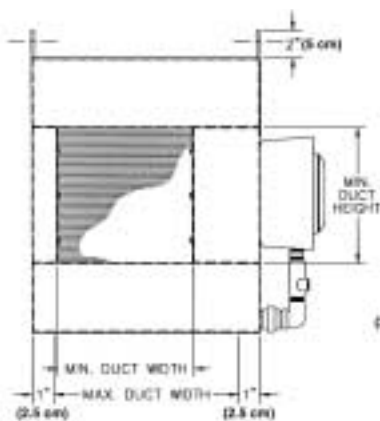


Figure 79A.  
1 Heat Exchanger Module

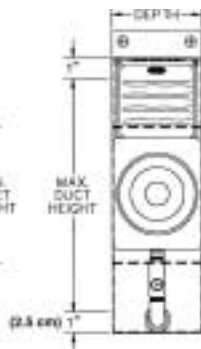


Figure 79B.  
2 Heat Exchanger Modules



www.indeeco.com  
800-243-8162

# ULTRA-SAFE™ Explosion-proof Duct Heaters

Table XX  
Custom Options

Option	Description	Code
Corrosion Resistant Construction	Stainless frame, coated heat exchanger, epoxy-coated NEMA 4X, 7, 9 terminal box, conduit and fittings.	C
Built-on Disconnect Switch	To meet NEC requirement for a disconnect at or within sight of the heater. (Not available for outdoor or washdown use)	D
Built-on Airflow Switch	An explosion-proof differential pressure switch replaces the fan relay. Use only for positive pressure inside the duct. (Not available for outdoor or washdown use)	P
Supplementary Fusing	For heaters drawing 48 amps or less. Fusing is standard above 48 amps.	F
“Warning” Pilot Light	Red light to indicate when a thermal cutout or airflow interlock has tripped.	K
“Heater On” Pilot Light	Green light indicates when there is power to the heater.	L
Disconnecting Magnetic Contactors	Contactors that break all ungrounded lines replace standard de-energizing contactors.	M
120 Volt Control Circuit	A 120V control transformer with one leg fused replaces the standard 24V transformer.	V
NEMA 4 Construction	Explosion-proof box is gasketed for outdoor or wet locations.	G
Group B Construction	For Class I, Group B areas. Heater will be rated for Classes I and II; Divisions 1 and 2; Groups B, C, D, E, F and G.	Z



Figure 80. Built-on Airflow Switch



Figure 81. Built-on Disconnect Switch

## Explosion-proof Duct Heaters

### How to Order

1. **Catalog No. or Size** – Specify Catalog Number from **Table XIX** on page 51.
2. **KW Rating** – Up to the maximum shown in **Table XIX**.
3. **Heater Voltage and Phase**
4. **Temperature Control** – Single Stage or SCR Control. If SCR Control, specify input signal.
5. **Fan Relay Voltage** – Specify 24 or 120 volt to match fan starter holding coil voltage.
6. **Airflow Direction** – Horizontal Right-Hand or Left-Hand airflow, as defined on page 47.
7. **Options** – Select from ULTRA-SAFE™ Custom Option codes in **Table XX**.

### Sample Specification

A sample specification can be prepared by using the following information. A circle has been supplied so that you may darken those sections which you require. Material which is part of the standard ULTRA-SAFE™ Explosion-proof Duct Heater specification has already been darkened.

- 1. Electric explosion-proof duct heaters shall be INDEECO ULTRA-SAFE™ Series, of the KW rating, voltage, phase, duct size and airflow direction specified in the schedule. They shall be Factory Mutual and CSA Approved for:
  - Class I, Divisions 1 and 2, Groups C and D; Class II, Divisions 1 and 2, Groups E, F, and G Ignition Temperature Code No. T3C, 320°F (160°C).
  - Class I, Divisions 1 and 2, Groups B, C, and D; Class II, Divisions 1 and 2, Groups E, F, and G Ignition Temperature Code No. T3C, 320°F (160°C).
- 2. Duct heaters shall have automatic and manual reset thermal cutouts for redundant overtemperature protection, fan relay for airflow interlock, de-energizing controlling and backup magnetic contactors, 24 volt

control circuit transformer, terminal blocks for field wiring and supplementary fusing for heaters over 48 amps. Controls shall be housed in a NEMA 7, 9 cast aluminum enclosure.

- 3. The heat exchanger shall be liquid-to-air design, utilizing a copper tube core with integral aluminum fins. Nontoxic, inhibited, propylene glycol heat transfer fluid shall be used that provides freeze protection down to -49°F (-45°C). Pressure relief valve setting to be 70 psig. The heat exchanger shall include industrial grade INDEECO electric heating elements.
- 4. Duct heaters shall be furnished with the control option indicated below (select one):
  - Single stage on/off control with field installed thermostat.
  - Solid-state control with built-in zero-cross switching SCR and field installed thermostat.
- 5. The following options are to be included:
  - Corrosion resistant stainless steel construction with iridite coated heat exchanger, epoxy coated NEMA 4X, 7, 9 terminal box, conduit and fittings.
  - Built-on disconnect switch (not available with Group B construction).
  - Supplementary fusing for heaters drawing less than 48 amps.
  - Warning pilot light to indicate overtemperature or no airflow.
  - “Heater On” pilot light to indicate power to the heater.
  - Disconnecting magnetic contactors.
  - Built-on airflow switch in place of the fan relay (not available with Group B construction).
  - 120 volt transformer in place of 24 volt transformer.
  - NEMA 4, 7, 9 gasketed control box for wet locations.

### Typical ULTRA-SAFE™ Duct Heater Schedule

Tag No.	KW	Supply Line		Stages	Duct Dimensions (Inches)		Special Features
		Volts	Phase		W (Width)	H (Height)	
DH1	10	480	3	1	18	12	Built-on disconnect switch
DH2	15	480	3	1	36	18	Corrosion resistant construction
DH3	75	480	3	1	48	24	