

# Vertical Unit Heater



The UVI unit heater is designed to heat buildings with high ceilings. It may also be used to re-circulate warm air that builds up near ceilings. UVI heaters can be used as primary, supplemental or dual heating systems in commercial or industrial buildings.

- **Vertical Airflow:** Suitable for applications in high bay industrial buildings where columns, machinery or warehouse stock would obstruct horizontal air movement.
- **Air Distribution Patterns:** Three optional air diffusers produce different air distribution patterns to accommodate various applications.

### Applications

- Aircraft Hangars
- Factories
- Garages
- Gyms
- High Bay Areas
- Malls
- Power Generating Stations
- Shipping and Receiving Areas
- Warehouses

## Standard Construction Features

**Heating Elements** – Steel finned tubular elements are grounded for extra safety.

**Housing** – Cabinet is constructed of 18-gauge galvanized steel with an almond epoxy-polyester powder paint finish.

**Fan Motor** – Quiet, totally enclosed motor is thermally protected.

**Built-in Controls** – Contactor, fan override, terminal block for remote fan control and linear automatic reset thermal cutout.

**Installation Requirements** – Do not install heater closer than 24 inches from walls and ceiling. Mount heaters out of reach, at least eight feet from the floor.

## Factory Built-in Options

Code	Description
R1	24V Relay
R2	24V Relay with Transformer
X	120V Control

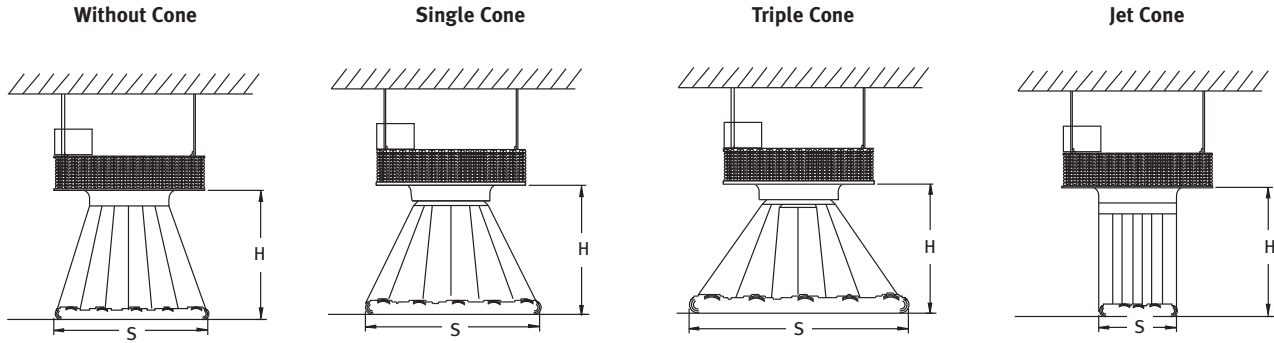
**Remote Room Thermostat** – See page 96

## Field-Installed Options

(shipped loose for field installation into heater)

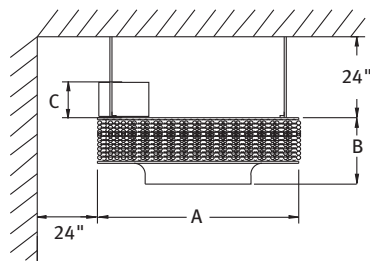
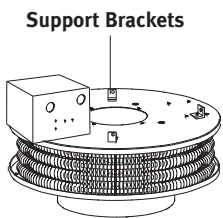
Catalog Number	Description	
928-124521	Single Cone Diffuser	5 -10 KW
928-124522	Single Cone Diffuser	15 -30 KW
928-124523	Triple Cone Diffuser	5-10 KW
928-124524	Triple Cone Diffuser	15-30 KW
928-124525	Jet Cone Diffuser	5-10 KW
928-124526	Jet Cone Diffuser	15-30 KW
928-124527	24V Relay Kit	
928-124528	24V Relay Kit with Transformer-208V	
928-124529	24V Relay Kit with Transformer-240V	

**Air Distribution Patterns**



**Maximum Mounting Height**

KW	Without Cone		Single Cone		Triple Cone		Jet Cone	
	H	S	H	S	H	S	H	S
	Ft (m)	Ft (m)	Ft (m)	Ft (m)	Ft (m)	Ft (m)	Ft (m)	Ft (m)
5-10	12 (4)	19 (6)	8 (3)	22 (7)	10 (3)	31 (10)	16 (5)	20 (6)
15-30	18 (6)	20 (9)	10 (4)	33 (10)	14 (4)	43 (13)	22 (7)	26 (9)



Model (Without Cone)	A	B	C
	In. (mm)	In. (mm)	In. (mm)
5 to 10 KW	23 (587)	8 (197)	7 (175)
15 to 30 KW	30 (769)	13 (318)	7 (175)

**Vertical Unit Heater**

**Vertical Unit Heater Listing**

KW	Volts	Phase	Total Amps (1)	CFM	Approximate Air Temperature Rise °F (°C)	Motor Data			Weight lb (kg)	Catalog Number
						HP	RPM	Voltage		
5	208	1	24.9	450	36 (20)	1/20	1050	208/240	75 (34)	928C05000CA
	208	3	14.7	450	36 (20)	1/20	1050	208/240	75 (34)	928C05000DA
	240	1	21.7	450	36 (20)	1/20	1050	208/240	75 (34)	928C05000JA
	240	3	12.9	450	36 (20)	1/20	1050	208/240	75 (34)	928C05000KA
7.5	208	3	21.7	600	40 (22)	1/20	1050	208/240	75 (34)	928C07500DA
	240	1	32.1	600	40 (22)	1/20	1050	208/240	75 (34)	928C07500JA
	240	3	18.9	600	40 (22)	1/20	1050	208/240	75 (34)	928C07500KA
10	208	3	28.6	750	41 (23)	1/20	1050	208/240	75 (34)	928C10000DA
	240	1	42.5	750	41 (23)	1/20	1050	208/240	75 (34)	928C10000JA
	240	3	24.9	750	41 (23)	1/20	1050	208/240	75 (34)	928C10000KA
15	208	3	43.4	1200	40 (22)	1/8	1140	208	100 (48)	928C15000DA
	240	1	64.3	1200	40 (22)	1/8	1140	240	100 (48)	928C15000JA
	240	3	37.9	1200	40 (22)	1/8	1140	240	100 (48)	928C15000KA
20	208	3	57.3	1600	40 (22)	1/8	1140	208	100 (48)	928C20000DA
	240	1	85.1	1600	40 (22)	1/8	1140	240	100 (48)	928C20000JA
	240	3	49.9	1600	40 (22)	1/8	1140	240	100 (48)	928C20000KA
25	208	3	71.2	2000	40 (22)	1/8	1140	208	100 (48)	928C25000DA
	240	1	106.0	2000	40 (22)	1/8	1140	240	100 (48)	928C25000JA
	240	3	61.9	2000	40 (22)	1/8	1140	240	100 (48)	928C25000KA
30	208	3	85.1	2300	41 (23)	1/8	1140	208	100 (48)	928C30000CA
	240	1	126.8	2300	41 (23)	1/8	1140	240	100 (48)	928C30000JA
	240	3	74.0	2300	41 (23)	1/8	1140	240	100 (48)	928C30000KA

(1) Total Amps = Heating element amps and motor amps.  
 Other voltages available. Consult factory.  
 Only available with almond finish.