

Class I, Divisions 1 and 2, Groups B, C and D  
 Class II, Divisions 1 and 2, Groups E, F and G  
 Class I, Zones 1 and 2, Group IIC

### Applications

- Battery Storage Areas
- Chemical Plants
- Coal Handling Facilities
- Dry Cleaning Plants
- Gasoline Fueling/Storage Areas
- Grain Elevators
- Oil Refineries
- Paint Spraying/Storage Areas
- Petrochemical Plants

INDEECO's explosion-proof convector is designed to provide a heavy duty and corrosion resistant heat source. Features include:

- **Wide Selection of Sizes:** Four compact sizes to fit any space with ratings from 500 to 9,500 watts.
- **Sloped Top Cabinet:** Prevents objects from being set on top of the convector, which can restrict airflow and cause overheating.
- **Single and Three-Phase:** Unique design provides single and balanced three-phase loads in a single element.
- **Gas and Dust Atmospheres:** Three listings cover the entire field, two for hazardous gases and vapors and one for dust particles.
- **Wet Locations:** All unit sizes available with iridite-coated elements and powder-coated frames for NEMA 3 wet locations.

## Standard Construction Features

**Element** – Grade A Nickel-Chrome heating coils are insulated with ceramics and magnesium oxide from the copper heater tube and fitted with large aluminum fins locked in place.

**Cabinet** – Heavy gauge steel cabinet is painted with a beige powder coat for durability. Cabinet should be mounted at least 6 inches (152 mm) above the floor. Factory-furnished wall brackets make installation easy.

**Thermal Protection** – A linear limit, automatic reset thermal cutout is built into every unit.

**Complete Electrical Package** – For larger single-phase and all three-phase units, a built-on contactor/transformer option package is available.

## Electrical Package Options

All single-phase heaters rated over 22 amps or 277 volts and all three-phase heaters require a magnetic contactor. Some electrical combinations will also require a control transformer. To simplify

field installation, these accessories are factory-mounted on the heater cabinet and factory pre-wired (not available on Size 1 convectors).

Code	Option	Description
B2	Electric Control Option	Contactor and transformer (as required). All three-phase and single-phase heaters over 22 amps or 277 volts.
B2-S1	Thermostat & Controls	Classes I and II, Groups C, D, E, F and G includes thermostat, contactor and transformer (as required).
B3	Thermostat & Controls (Group B)	Classes I and II, Groups B, C, D, E, F and G includes thermostat, contactor and transformer (as required). Thermostat has internal set point.
S1	Thermostat	Classes I and II, Groups C, D, E, F and G single-phase heaters rated up to 22 amps at 125 - 277 volts.
S2	Thermostat (Group B)	Classes I and II, Groups B, C, D, E, F and G single-phase heaters rated up to 22 amps at 125 - 277 volts. Thermostat has internal set point.

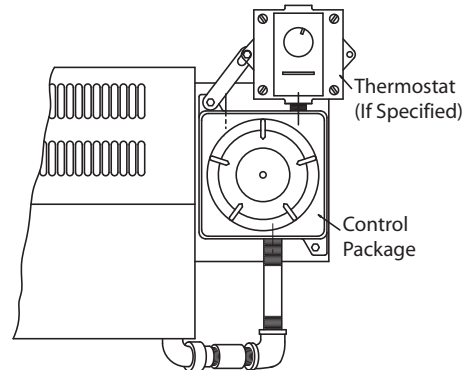
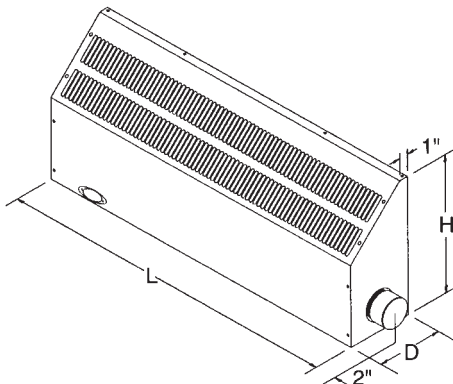
## Custom Option

Code	Option	Description
C1	Wet Locations	NEMA 3 rated heater construction not available with S1, B2-S1 and S2 thermostat options.

## Dimensions and Weights

Unit Size	Dimensions – In. (cm)			Weight – Lb (kg) Without Controls
	Length (L)	Height (H)	Depth (D)	
1	26 (66)	6 (15)	4½ (11)	13 (5.9)
2	26 (66)	16 (41)	8 (20)	27 (12.2)
3	39 (99)	16 (41)	8 (20)	36 (16.3)
4	67½ (171)	16 (41)	8 (20)	60 (27.2)

Remote Room Thermostat – Use catalog number 1007002. See page 95.



## Convector Heater Listing

Class I, Divisions 1 and 2, Groups B, C and D  
Class I, Zones 1 and 2, Group IIC



Ignition Temperature Code °F (°C)	KW	Volts/Phase	Heater Amps	Unit Size	Catalog Number	Availability Code (1)(2)
T2A 536 (280)	0.5	120/1	4.2	1	254-F0310052B	AS
		208/1	2.4	1	254-F0310052C	AS
		240/1	2.1	1	254-F0310052J	S
	1	120/1	8.3	1	254-F0310102B	AS
		208/1	4.8	1	254-F0310102C	AS
		240/1	4.2	1	254-F0310102J	S
	1.8	120/1	15.0	2	254-F0320182B	AS
		208/1	8.7	2	254-F0320182C	S
		240/1	7.5	2	254-F0320182J	S
		480/3 <sup>▲</sup>	1.3	2	254-F0320182U	AS
	2.5	208/1	12.0	2	254-F0320252C	AS
		240/1	10.4	2	254-F0320252J	S
		208/3 <sup>*</sup>	6.9	2	254-F0320252D	AS
		480/3 <sup>▲</sup>	3.0	2	254-F0320252U	AS
	3.6	208/1	17.3	3	254-F0330362C	S
		240/1	15.0	3	254-F0330362J	S
		208/3 <sup>*</sup>	10.0	3	254-F0330362D	AS
		480/3 <sup>▲</sup>	4.3	3	254-F0330362U	S
	4.4	240/1	18.3	3	254-F0330442J	AS
		208/3 <sup>*</sup>	12.2	3	254-F0330442D	AS
		480/3 <sup>*</sup>	5.3	3	254-F0330442U	AS
	6.5	240/1 <sup>*</sup>	27.1	4	254-F0340652J	AS
		208/3 <sup>*</sup>	18.0	4	254-F0340652D	AS
		480/3 <sup>▲</sup>	7.8	4	254-F0340652U	S
7.5	240/1 <sup>*</sup>	31.3	4	254-F0340752J	AS	
	208/3 <sup>*</sup>	20.8	4	254-F0340752D	AS	
	480/3 <sup>▲</sup>	9.0	4	254-F0340752U	S	
	600/3 <sup>▲</sup>	7.2	4	254-F0340752Z	AS	
9.5	240/1 <sup>*</sup>	39.6	4	254-F0340952J	AS	
	208/3 <sup>*</sup>	26.4	4	254-F0340952D	AS	
	480/3 <sup>▲</sup>	11.4	4	254-F0340952U	AS	
	600/3 <sup>▲</sup>	9.1	4	254-F0340952Z	AS	

\* Magnetic contactor required.

▲ Magnetic contactor and control transformer required.

These accessories may be field mounted. For factory mounting, see Electrical Package Options on page 18.

(1) Availability Code: S = Stock, AS = Assembly Stock

(2) Heaters ordered with custom options subject to longer delivery.

Other voltages available. Consult factory.

# CONVECTOR

## Convector Heater Listing

Class I, Divisions 1 and 2, Groups B, C and D  
Class I, Zones 1 and 2, Group IIC



AMERICAN  
BUREAU OF  
SHIPPING

Ignition Temperature Code °F (°C)	KW	Volts/Phase	Heater Amps	Unit Size	Catalog Number	Availability Code (1)(2)
T3A 356 (180)	0.5	120/1	4.2	1	254-F0610052B	AS
		208/1	2.4	1	254-F0610052C	AS
		240/1	2.1	1	254-F0610052	S
	1.4	120/1	11.7	2	254-F0620142B	AS
		208/1	6.7	2	254-F0620142C	AS
		240/1	5.8	2	254-F0620142J	AS
	2.3	120/1	19.2	3	254-F0630232B	AS
		208/1	11.1	3	254-F0630232C	AS
		240/1	9.6	3	254-F0630232J	AS
		208/3*	6.4	3	254-F0630232D	AS
		480/3^	2.8	3	254-F0630232U	AS
	3.2	208/1	15.4	4	254-F0640322C	AS
		240/1	13.3	4	254-F0640322J	AS
		208/3*	8.9	4	254-F0640322D	AS
		480/3^	3.8	4	254-F0640322U	AS
	5	240/1	20.8	4	254-F0640502J	AS
		208/3*	13.9	4	254-F0640502D	AS
		480/3^	6.0	4	254-F0640502U	AS

## Class II, Divisions 1 and 2, Groups E, F and G

Ignition Temperature Code °F (°C)	KW	Volts/Phase	Heater Amps	Unit Size	Catalog Number	Availability Code (1)(2)
T3C 320 (160)	0.5	120/1	4.2	1	254-F0810054B	AS
		208/1	2.4	1	254-F0810054C	AS
		240/1	2.1	1	254-F0810054J	S
	1	120/1	8.3	2	254-F0820104B	AS
		208/1	4.8	2	254-F0820104C	AS
		240/1	4.2	2	254-F0820104J	AS
	1.7	120/1	14.2	3	254-F0830174B	AS
		208/1	8.2	3	254-F0830174C	AS
		240/1	7.1	3	254-F0830174J	AS
		480/3^	2.0	3	254-F0830174U	AS
	3.2	208/1	15.4	4	254-F0840324C	AS
		240/1	13.3	4	254-F0840324J	AS
		208/3*	8.9	4	254-F0840324D	AS
		480/3^	3.8	4	254-F0840324U	AS

\* Magnetic contactor required.

^ Magnetic contactor and control transformer required.

These accessories may be field mounted. For factory mounting, see Electrical Package Options on page 18.

(1) Availability Code: S = Stock, AS = Assembly Stock

(2) Heaters ordered with custom options subject to longer delivery.

Other voltages available. Consult factory.