

Mini Draft Barrier Heater



Applications

- Commercial Buildings
- Entryways
- Hallways
- Schools

The BMI mini draft barrier heaters are designed to fit under large windows to prevent cold down drafts. The heater provides total or supplemental heating for a variety of applications.

- **Installation Options:** Units may be wall mounted or installed on the floor using pedestal kits. Custom lengths, blank sections, and inside or outside corners are available for wall-to-wall installations. Units can be ordered with smooth finish mounting plates when the back of the heater is visible.
- **Choice of Colors:** Heaters can be matched to any décor. White or almond is standard and a wide range of optional colors and custom finishes including anodized aluminum are available.

Standard Construction Features

Heating Elements – Stainless steel elements with aluminum fins float on high temperature nylon bushings for quiet operation. Average watt density is 175 W/ft (574 W/m). Low watt density elements of 100 W/ft (328 W/m) are also available.

Housing – Cabinet is constructed of 18-gauge steel with a 14-gauge aluminum front and top covers. The unit has an epoxy-polyester powder paint finish in white or almond. End caps are provided on all units.

Inlet/Outlet Grilles – The fresh air inlet is located on the bottom of the unit. The top outlet grille has openings less than 0.25 inches to discourage tampering with the heating element (pencil-proof).

Built-in Controls – Linear limit, automatic reset thermal cutout.

Electrical Connection – Each heater has a junction box located at the right end and a built-in full length wireway.

Mounting Requirements – Minimum installation height above the floor is two inches. Field or factory-installed low voltage relay and thermostat kits fit into the right-hand junction box only.

Mini Draft Barrier Heater

Factory Built-in Options

Code	Description
D3	Disconnect Switch, Double-pole, 277V, 20 Amp
L	Custom Length
M1	High Altitude Automatic Cutout
R1	24V Relay, 240V, 22 Amp; 277V, 19 Amp; 600V, 10 Amp
R2	24V Relay with Transformer, 240V, 22 Amp; 277V, 19 Amp
R6	Pneumatic Relay, 480V, 25 Amp
R7	24V Proportional Relay
S	Smooth Finish on Heater Back
T1	Tamperproof Thermostat, Single-pole, 240V, 25 Amp; 600V, 10 Amp
T2	Tamperproof Thermostat, Double-pole, 240V, 25 Amp; 600V, 10 Amp
T5	Adjustable Thermostat, Single-pole, 240V, 25 Amp; 600V, 10 Amp
T6	Adjustable Thermostat, Double-pole, 240V, 25 Amp; 600V, 10 Amp

Field-Installed Options

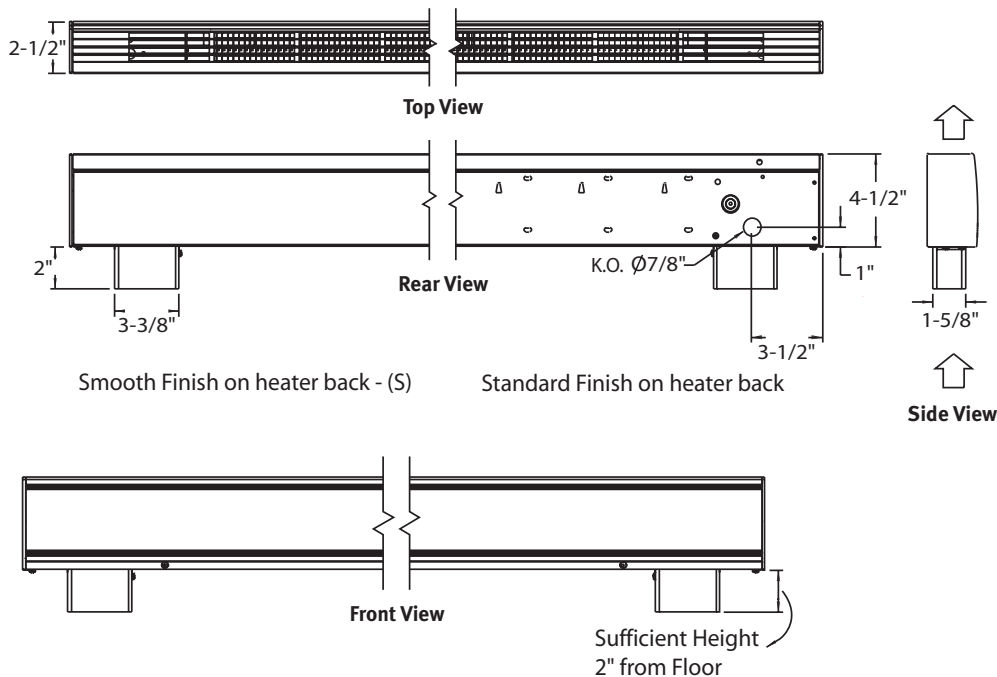
(shipped loose for field installation into heater)

Catalog Number	Description
914-166740	Inside Corner
914-166741	Outside Corner
914-166742	Round Pedestal Kit, 3-5", Qty=2
914-166743	Square Pedestal Kit, 2", Qty=2
914-166744	Splice Plate 2" Long
914-166745	Finish Joint for Heater with Pedestal
914-166746	24V Relay Kit, 240V, 22 Amp; 277V, 19 Amp
914-166747	24V Relay Kit with Transformer, 208V, 22 Amp
914-166748	24V Relay Kit with Transformer, 240V, 22 Amp
914-166749	24V Relay Kit with Transformer, 277V, 19 Amp
914B-XXX	Blank Section (specify length in inches-XXX)

Standard colors - Add W for white finish or A for almond finish to the end of part number.

Special or custom colors - See inside back cover for color codes to be added to end of part number.

Remote Room Thermostat – See page 96



Shown with optional square pedestal.

Mini Draft Barrier Heater

Mini Draft Barrier Heater Listing

Watts	Volts	Amps	Length In. (mm)	Weight lb (kg)	Catalog Number
350/263	240/208	1.5/1.3	27.6 (700)	7 (3.2)	914U00350V
350	208	1.7	27.6 (700)	7 (3.2)	914U00350C
	277	1.3	27.6 (700)	7 (3.2)	914U00350N
525/394	240/208	2.2/1.9	35.4 (900)	8.3 (3.8)	914U00525V
525	208	2.5	35.4 (900)	8.3 (3.8)	914U00525C
	277	1.9	35.4 (900)	8.3 (3.8)	914U00525N
700/526	240/208	2.9/2.5	47.3 (1200)	10.2 (4.6)	914U00700V
700	208	3.4	47.3 (1200)	10.2 (4.6)	914U00700C
	277	2.5	47.3 (1200)	10.2 (4.6)	914U00700N
875/657	240/208	3.6/3.2	59.1 (1500)	12 (5.5)	914U00875V
875	208	4.2	59.1 (1500)	12 (5.5)	914U00875C
	277	3.2	59.1 (1500)	12 (5.5)	914U00875N
	480	1.8	59.1 (1500)	12 (5.5)	914U00875T
1050/789	240/208	4.4/3.8	70.9 (1800)	13.9 (6.3)	914U01050V
1050	208	5.0	70.9 (1800)	13.9 (6.3)	914U01050C
	277	3.8	70.9 (1800)	13.9 (6.3)	914U01050N
	480	2.2	70.9 (1800)	13.9 (6.3)	914U01050T
1225/920	240/208	5.1/4.4	82.7 (2100)	15.8 (7.2)	914U01225V
1225	208	5.9	82.7 (2100)	15.8 (7.2)	914U01225C
	277	4.4	82.7 (2100)	15.8 (7.2)	914U01225N
	480	2.6	82.7 (2100)	15.8 (7.2)	914U01225T
1400/1052	240/208	5.8/5.1	94.5 (2400)	17.6 (8)	914U01400V
1400	208	6.7	94.5 (2400)	17.6 (8)	914U01400C
	277	5.1	94.5 (2400)	17.6 (8)	914U01400N
	480	2.9	94.5 (2400)	17.6 (8)	914U01400T

All models listed are single-phase.

Other voltages available. Consult factory.

Standard colors - Add W for white finish or A for almond finish to the end of catalog number.

Special or custom colors - See inside back cover for color codes to be added to end of catalog number.