

# BII/BISI SERIES

## Industrial Baseboard Heater Industrial Sloped Top Baseboard Heater



BII



BISI

### Applications

- Air, Rail or Bus Terminals
- Auditoriums
- Corridors
- Entryways
- Foyers
- Hallways
- Lobbies
- Offices

The BII/BISI industrial baseboard heaters (also known as draft barriers or sill height convectors) are designed to fit under large windows to prevent cold down drafts. The heaters are ideal for heavy traffic areas with high heating requirements.

- **Installation Options:** Units may be mounted to the wall flush on the floor or on pedestals. Custom lengths and blank sections are available for wall-to-wall installations. Units can be ordered with smooth finish when the back of the heater is visible.
- **Length Options:** Heaters can be installed singularly in lengths from 20 inches to 103 inches or joined end to end for complete perimeter heating.
- **Added Safety:** The sloped-top cabinet on the BISI prevents objects from being set on top of the heater, which can restrict airflow and cause overheating.
- **Choice of Colors:** Heaters can be matched to any décor. White or almond is standard and a wide range of optional colors and custom finishes are also available.

## Standard Construction Features

**Heating Elements** – Carbon steel elements with aluminum fins float on high temperature nylon bushings for quiet operation. Stainless steel elements with aluminum fins on elements rated 1,500 watts and above. Average watt density is 275 W/ft (900 W/m). Low watt density elements of 200 W/ft (655 W/m) are also available.

**Housing** – Cabinet is constructed of 18-gauge steel with a 16-gauge steel front cover. The unit has an epoxy-polyester powder paint finish in white or almond. End caps are provided on all units.

**Inlet/Outlet Grilles** – The fresh air inlet grille is located on the front of the unit. The outlet grille has openings less than 0.25 inches to discourage tampering with the heating element (pencil-proof).

**Built-in Controls** – Linear limit, automatic reset thermal cutout.

**Electrical Connection** – Each baseboard heater has a junction box located on both right ends and a built-in full length wireway.

**Installation Requirements** – Field or factory-installed low voltage relay and thermostat kits fit into the right-hand junction box only.

# Industrial Baseboard Heater Industrial Sloped Top Baseboard Heater

## Factory Built-in Options

Code	Description
A	Bottom Air Inlet
D3	Disconnect Switch, 277V, Double-pole, 20 Amp
L	Custom Length
M1	High Altitude Automatic Cutout
R1	24V Relay, 240V, 22 Amp; 277V, 19 Amp
R2	24V Relay with Transformer, 240V, 22 Amp; 277V, 19 Amp
R6	Pneumatic Relay, 480V, 25 Amp
R7	24V Proportional Relay
S	Smooth Finish on Heater Back
T1	Tamperproof Thermostat, Single-pole, 240V, 25 Amp; 277V, 10 Amp
T2	Tamperproof Thermostat, Double-pole, 240V, 25 Amp; 277V, 10 Amp
T5	Adjustable Thermostat, Single-pole, 240V, 25 Amp; 277V, 10 Amp
T6	Adjustable Thermostat, Double-pole, 240V, 25 Amp; 277V, 10 Amp

## Field-Installed Options

(shipped loose for field installation into heater)

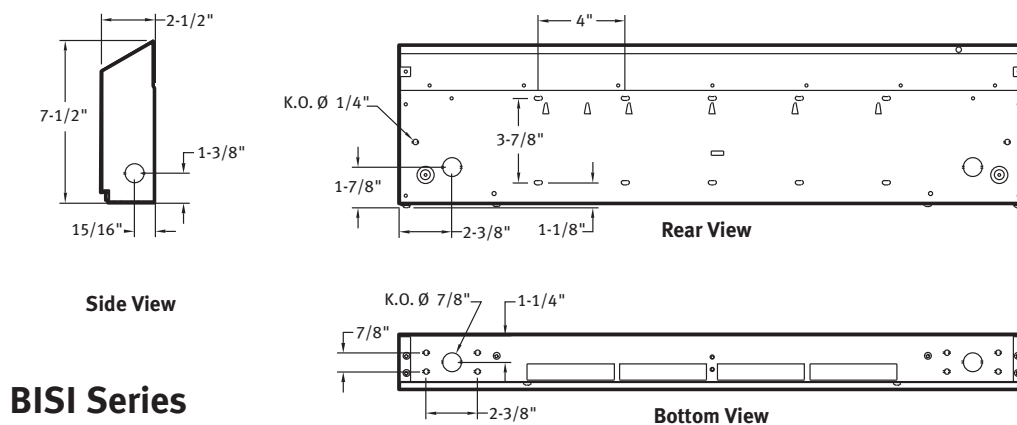
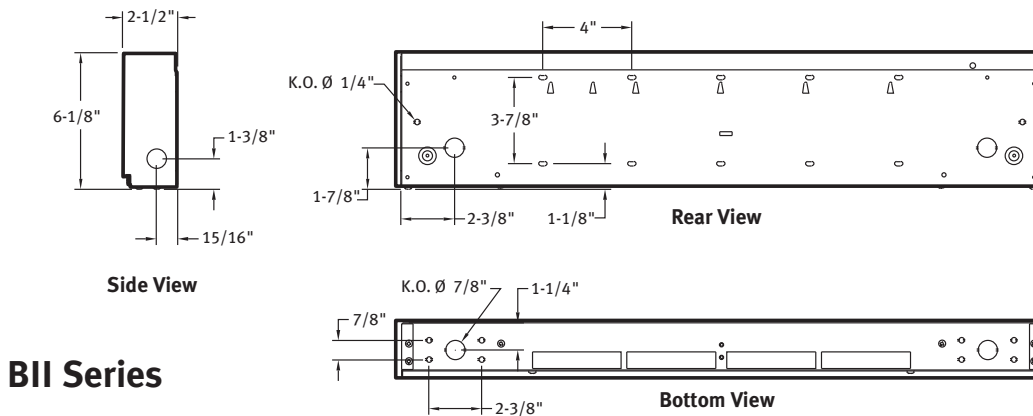
Catalog Number	Description
907-124597(1)	Inside Corner
907-124598(1)	Outside Corner
907-124599	Round Pedestal Kit 3-5" High, Qty=2
907-169807	Square Pedestal Kit, 2", Qty=2
907-124600(1)	Splice Plate 2" Long
907-124601(1)	Finish Joint for Heater with Pedestal
907-124602	24V Relay Kit, 240V, 22 Amp; 277V, 19 Amp
907-124603	24V Relay Kit with Transformer, 120V, 22 Amp
907-124604	24V Relay Kit with Transformer, 208V, 22 Amp
907-124605	24V Relay Kit with Transformer, 240V, 22 Amp
907-124606	24V Relay Kit with Transformer, 277V, 19 Amp
907B-XXX(1)	Blank Section (specify length in inches-XXX)

(1) Change 907 prefix to 905 for BISI.

Standard colors - Add **W** for white finish or **A** for almond finish to the end of part number.

Special or custom colors - See inside back cover for color codes to be added to end of part number.

## Remote Room Thermostat – See page 96



## Industrial Baseboard Heater Industrial Sloped Top Baseboard Heater

### Industrial Baseboard/Industrial Sloped Top Baseboard Heater Listings

Watts	Volts	Amps	Length In. (mm)	Weight lb (kg)	Catalog Number	
					BII	BISI
500/375	240/208	2.1/1.8	28.8 (731)	11 (5)	907U00500V	905U00500V
500	120	4.2	28.8 (731)	11 (5)	907U00500B	905U00500B
	208	2.4	28.8 (731)	11 (5)	907U00500C	905U00500C
	277	1.8	28.8 (731)	11 (5)	907U00500N	905U00500N
750/563	240/208	3.1/2.7	38.8 (985)	13 (6)	907U00750V	905U00750V
750	120	6.3	38.8 (985)	13 (6)	907U00750B	905U00750B
	208	3.6	38.8 (985)	13 (6)	907U00750C	905U00750C
	277	2.7	38.8 (985)	13 (6)	907U00750N	905U00750N
1000/750	240/208	4.2/3.6	49.1 (1246)	15 (7)	907U01000V	905U01000V
1000	120	8.3	49.1 (1246)	15 (7)	907U01000B	905U01000B
	208	4.8	49.1 (1246)	15 (7)	907U01000C	905U01000C
	277	3.6	49.1 (1246)	15 (7)	907U01000N	905U01000N
1250/938	240/208	5.2/4.5	58.5 (1487)	17 (8)	907U01250V	905U01250V
1250	120	10.4	58.5 (1487)	17 (8)	907U01250B	905U01250B
	208	6.0	58.5 (1487)	17 (8)	907U01250C	905U01250C
	277	4.5	58.5 (1487)	17 (8)	907U01250N	905U01250N
1500/1125	240/208	6.3/5.4	67.2 (1702)	19 (9)	907U01500V	905U01500V
1500	120	12.5	67.2 (1702)	19 (9)	907U01500B	905U01500B
	277	5.4	67.2 (1702)	19 (9)	907U01500C	905U01500C
	208	7.2	67.2 (1702)	19 (9)	907U01500N	905U01500N
1750/1313	240/208	7.3/6.3	76.6 (1945)	21 (9)	907U01750V	905U01750V
1750	208	8.4	76.6 (1945)	21 (9)	907U01750C	905U01750C
	277	6.3	76.6 (1945)	21 (9)	907U01750N	905U01750N
	240/208	8.3/7.2	85.4 (2168)	23 (10)	907U02000V	905U02000V
2000	208	9.6	85.4 (2168)	23 (10)	907U02000C	905U02000C
	277	7.2	85.4 (2168)	23 (10)	907U02000N	905U02000N
	240/208	9.4/8.1	94.2 (2393)	25 (11)	907U02250V	905U02250V
2250	208	10.8	94.2 (2393)	25 (11)	907U02250C	905U02250C
	277	8.1	94.2 (2393)	25 (11)	907U02250N	905U02250N
	240/208	10.4/9.0	103.3 (2625)	27 (12)	907U02500V	905U02500V
2500	208	12.0	103.3 (2625)	27 (12)	907U02500C	905U02500C
	277	9.0	103.3 (2625)	27 (12)	907U02500N	905U02500N

All models listed are single-phase.

Other voltages available. Consult factory.

**Standard colors - Add W for white finish or A for almond finish to the end of catalog number.**

Special or custom colors - See inside back cover for color codes to be added to end of catalog number.