

## High Watt Density Draft Barrier Heater



### Applications

- Commercial Buildings
- Entryways
- Hallways
- Hospitals
- Shopping Centers

The BHI high watt density draft barrier heaters are designed to fit under large windows to prevent cold down drafts. The heater provides total or supplemental heating for a variety of applications.

- **Installation Options:** Units may be wall mounted or installed on the floor using pedestal kits. Custom lengths, blank sections and inside or outside corners are available for wall-to-wall installations. Units can be ordered with smooth finish when the back of the heater is visible.
- **Choice of Colors:** Heaters can be matched to any décor. White or almond is standard and a wide range of optional colors and custom finishes, including anodized aluminum, are also available.

## Standard Construction Features

**Heating Elements** – Two stainless steel elements with aluminum fins float on high temperature nylon bushings for quiet operation. Average watt density is 355 W/ft (1,165 W/m).

**Housing** – Cabinet is constructed of 18-gauge steel with a 14-gauge aluminum front and top covers. The unit has an epoxy-polyester powder paint finish in white or almond. End caps are provided on all units.

**Inlet/Outlet Grilles** – The fresh air inlet is located on the bottom of the unit. The top outlet grille has openings less than 0.25 inches to discourage tampering with the heating element (pencil-proof).

**Built-in Controls** – Linear limit, automatic reset thermal cutout.

**Electrical Connection** – Each heater has a junction box located at the right end and a built-in full length wireway.

**Installation Requirements** – Minimum installation height above the floor is three inches. Field or factory-installed low voltage relay and thermostat kits fit into the right-hand junction box only.

# High Watt Density Draft Barrier

## Factory Built-in Options

Code	Description
D1	Disconnect Switch, Three-pole, 600V, 40 Amp
D3	Disconnect Switch, Double-pole, 277V, 20 Amp
L	Custom Length
M1	High Altitude Automatic Cutout
R1	24V Relay, 240V, 22 Amp; 277V, 19 Amp
R2	24V Relay with Transformer, 240V, 22 Amp; 277V, 19 Amp
R6	Pneumatic Relay, 480V, 25 Amp
R7	24V Proportional Relay
S	Smooth Finish on Heater Back
T1	Tamperproof Thermostat, Single-pole, 240V, 25 Amp; 600V, 10 Amp
T2	Tamperproof Thermostat, Double-pole, 240V, 25 Amp; 600V, 10 Amp

## Field-Installed Options

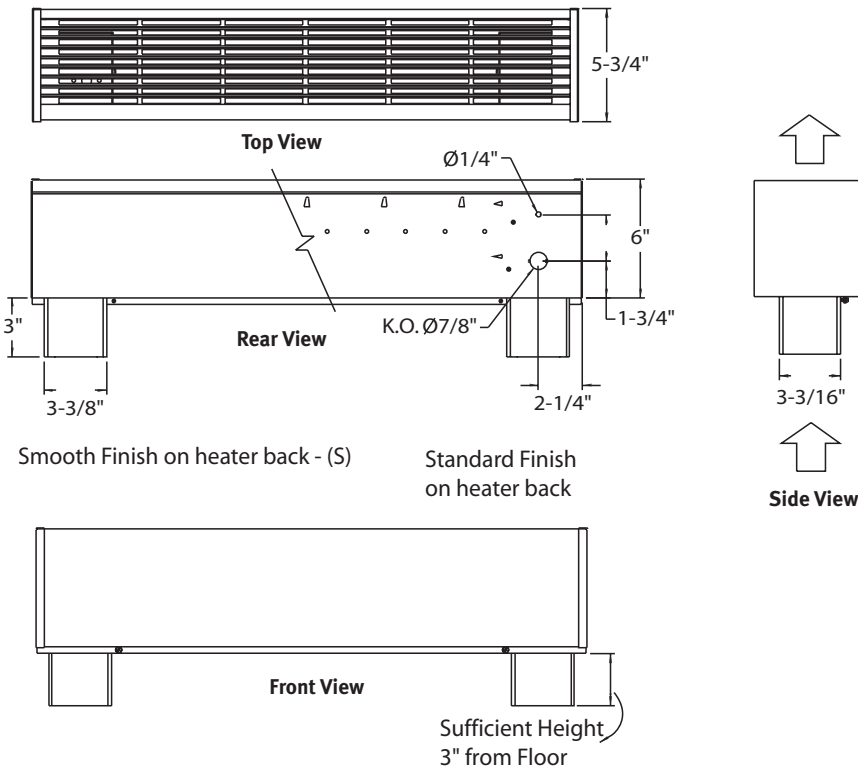
(shipped loose for field installation into heater)

Catalog Number	Description
916-166753	Inside Corner
916-166754	Outside Corner
916-166756	Square Pedestal Kit, 3", Qty=2
916-166757	Splice Plate 2" Long
916-166758	Finish Joint for Heater with Pedestal
916-166759	24V Relay Kit, 240V, 22 Amp; 277V, 19 Amp
916-166760	24V Relay Kit with Transformer, 208V, 22 Amp
916-166761	24V Relay Kit with Transformer, 240V, 22 Amp
916-166762	24V Relay Kit with Transformer, 277V, 19 Amp
916B-XXX	Blank Section (specify length in inches-XXX)

Standard colors - Add **W** for white finish or **A** for almond finish to the end of part number.

Special or custom colors - See inside back cover for color codes to be added to end of part number.

## Remote Room Thermostat – See page 96



Shown with optional square pedestals.

## High Watt Density Draft Barrier Heater

### High Watt Density Draft Barrier Heater Listing

Watts	Volts	Amps	Length In. (mm)	Weight lb (kg)	Catalog Number
750/563	240/208	3.1/2.7	23.6 (600)	10.7 (4.8)	916U00750V
750	208	3.6	23.6 (600)	10.7 (4.8)	916U00750C
	277	2.7	23.6 (600)	10.7 (4.8)	916U00750N
1000/751	240/208	4.2/3.6	35.4 (900)	14.1 (6.4)	916U01000V
1000	208	4.8	35.4 (900)	14.1 (6.4)	916U01000C
	277	3.6	35.4 (900)	14.1 (6.4)	916U01000N
	480	2.1	35.4 (900)	14.1 (6.4)	916U01000T
1400/1052	240/208	5.8/5.1	47.3 (1200)	17.6 (8)	916U01400V
1400	208	6.7	47.3 (1200)	17.6 (8)	916U01400C
	277	5.1	47.3 (1200)	17.6 (8)	916U01400N
	480	2.9	47.3 (1200)	17.6 (8)	916U01400T
1750/1314	240/208	7.3/6.3	59.2 (1500)	21.1 (9.6)	916U01750V
1750	208	8.4	59.2 (1500)	21.1 (9.6)	916U01750C
	277	6.3	59.2 (1500)	21.1 (9.6)	916U01750N
	480	3.6	59.2 (1500)	21.1 (9.6)	916U01750T
2100/1577	240/208	8.8/7.6	70.9 (1800)	24.6 (11.1)	916U02100V
2100	208	10.1	70.9 (1800)	24.6 (11.1)	916U02100C
	277	7.6	70.9 (1800)	24.6 (11.1)	916U02100N
	480	4.4	70.9 (1800)	24.6 (11.1)	916U02100T
2450/1840	240/208	10.2/8.8	82.7 (2100)	28 (12.7)	916U02450V
2450	208	11.8	82.7 (2100)	28 (12.7)	916U02450C
	277	8.8	82.7 (2100)	28 (12.7)	916U02450N
	480	5.1	82.7 (2100)	28 (12.7)	916U02450T
2800/2103	240/208	11.7/10.1	94.5 (2400)	31.5 (14.3)	916U02800V
2800	208	13.5	94.5 (2400)	31.5 (14.3)	916U02800C
	277	10.1	94.5 (2400)	31.5 (14.3)	916U02800N
	480	5.8	94.5 (2400)	31.5 (14.3)	916U02800T

All models listed are single-phase.

Other voltages available. Consult factory.

**Standard colors - Add W for white finish or A for almond finish to the end of catalog number.**

Special or custom colors - See inside back cover for color codes to be added to end of catalog number.