

# Architectural Baseboard Heater Architectural Sloped Top Baseboard Heater



BAI



BASI

The BAI/BASI architectural baseboard heaters are designed to heat large commercial spaces without the fan noise associated with unit heaters.

- **Installation Options:** Units may be mounted to the wall, flush on the floor or on pedestals. Custom lengths, blank sections, sub-bases and inside or outside corners are available for wall-to-wall installations. Units and accessories can be ordered with smooth finish when the back of the heater is visible.
- **Added Safety:** The sloped-top cabinet on the BASI prevents objects from being set on top of the heater, which can restrict airflow and cause overheating.
- **Recessed Mounting:** The BAI heater can be fully recessed when the front warm air outlet option is used.
- **Choice of Colors:** Heaters can be matched to any décor. White or almond is standard and a wide range of optional colors and custom finishes are also available.

## Applications

- Banks
- Classrooms
- Conference Rooms
- Halls
- Offices

## Standard Construction Features

**Heating Elements** – Carbon steel elements with aluminum fins float on high temperature nylon bushings for quiet operation. Stainless steel elements with aluminum fins on elements rated 1,500 watts and above. Average watt density is 500 W/ft (1,640 W/m). Low watt density elements of 375 W/ft (1,230 W/m) are also available.

**Housing** – Cabinet is constructed of 20-gauge steel with a 16-gauge steel front cover. The unit has an epoxy-polyester powder paint finish in white or almond.

**Inlet/Outlet Grilles** – The fresh air inlet grille is located on the front of the unit. An extruded aluminum outlet grille discourages tampering with the heating element.

**Built-in Controls** – Linear limit, automatic reset thermal cutout.

**Installation Requirements** – Field or factory-installed low voltage relay and thermostat kits fit into the right-hand junction box only.

## Architectural Baseboard Heater Architectural Sloped Top Baseboard Heater

### Factory Built-in Options

Code	Description
D1	Disconnect Switch, Three-pole, 600V, 40 Amp
F	Front Air Outlet (BAI Only)
R1	24V Relay, 240V, 22 Amp; 277V, 19 Amp
R2	24V Relay with Transformer, 240V, 22 Amp; 277V, 19 Amp
R3	24V Double Pole Relay
R4	240V Relay, Single-pole, 240V, 19 Amp
R5	240V Relay, Double-pole, 240V, 19 Amp
R6	Pneumatic Relay, 480V, 25 Amp
S	Smooth Finish on Heater Back
T1	Tamperproof Thermostat, Single-pole, 240V, 30 Amp; 480V, 15 Amp
T2	Tamperproof Thermostat, Double-pole, 480V, 15 Amp
X1	240V Transformer – 50 VA
X2	24V Transformer – 50 VA

Remote Room Thermostat – See page 96

### Field-Installed Options

(shipped loose for field installation into heater)

Catalog Number	Description	
909-124609(1)	Corner (interior and exterior)	
909-124610	Square Pedestal Kit	3-4" High
909-124611	Sub Base Heater Length In. (mm)	27.2 (690)
909-124612		37.2 (944)
909-124613		47.2 (1198)
909-124614		57.2 (1452)
909-12461		65.2 (1655)
909-124616		75.2 (1909)
909-124617		83.2 (2112)
909-124608	Recessed Trim Kit Heater Length In. (mm)	27.2 (690)
909-124619		37.2 (944)
909-124620		47.2 (1198)
909-124621		57.2 (1452)
909-124622		65.2 (1655)
909-124623		75.2 (1909)
909-124624		83.2 (2112)
909-124625(1)	Filler Section Length In. (mm)	12 (305)
909-124626(1)		24 (610)
909-124627(1)		36 (914)
909-124628(1)	Control Box – 12"	12 (305)
909-124629	24V Relay Kit, Single-pole, 240V, 22 Amp; 277V, 19 Amp	
909-124630	24V Relay Kit, Double-pole, 240V, 22 Amp	
909-124631	24V Relay Kit, Single-pole, 240V, 22 Amp	
909-124632	24V Relay Kit, Double-pole, 240V, 22 Amp	
909-124633	24V Relay Kit with Transformer, 208V, 22 Amp	
909-124634	24V Relay Kit with Transformer, 240V, 22 Amp	
909-124635	24V Relay Kit with Transformer, 277V, 19 Amp	
909-124636	Transformer Kit-208/24V – 50 VA	
909-124637	Transformer Kit-240/24V – 50 VA	
909-124638	Transformer Kit-277/24V – 50 VA	

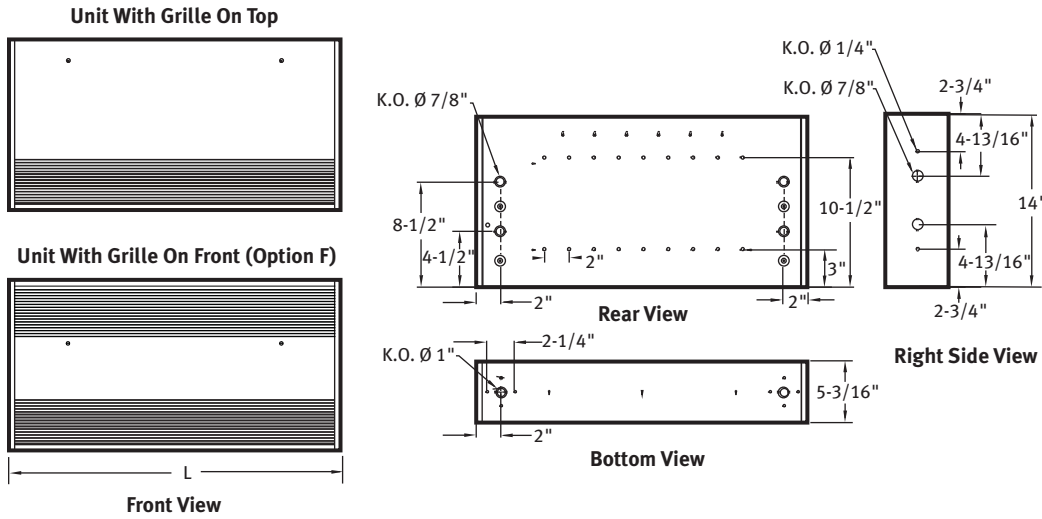
(1) Change 909 prefix to 908 for BASI.

Standard colors - Add **W** for white finish or **A** for almond finish to the end of part number.

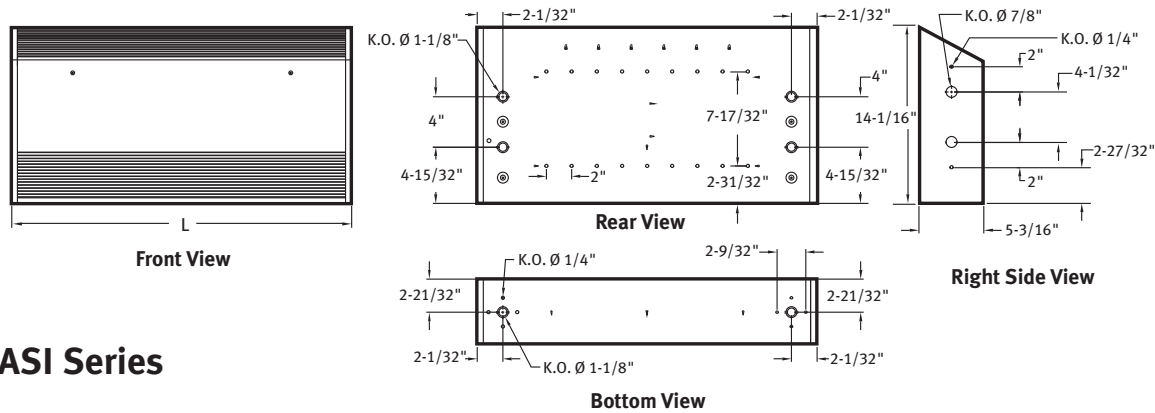
Special or custom colors - See inside back cover for color codes to be added to end of part number.

Filler sections can be cut in the field.

# Architectural Baseboard Heater Architectural Sloped Top Baseboard Heater



## BAI Series



## BASI Series

## Architectural Baseboard Heater Architectural Sloped Top Baseboard Heater

### Architectural Baseboard/Architectural Sloped Top Baseboard Heater Listings

Watts	Volts	Amps	Length In. (mm)	Weight lb (kg)		Catalog Number	
				BAI	BASI	BAI	BASI
1000	208	4.8	27.2 (690)	30 (14)	32 (15)	909U01000C	908U01000C
	240	4.2	27.2 (690)	30 (14)	32 (15)	909U01000J	908U01000J
	277	3.6	27.2 (690)	30 (14)	32 (15)	909U01000N	908U01000N
1500	208	7.2	37.2 (944)	35 (16)	46 (21)	909U01500C	908U01500C
	240	6.3	37.2 (944)	35 (16)	46 (21)	909U01500J	908U01500J
	277	5.4	37.2 (944)	35 (16)	46 (21)	909U01500N	908U01500N
2000	208	9.6	47.2 (1198)	42 (19)	57 (26)	909U02000C	908U02000C
	240	8.3	47.2 (1198)	42 (19)	57 (26)	909U02000J	908U02000J
	277	7.2	47.2 (1198)	42 (19)	57 (26)	909U02000N	908U02000N
2500	208	12.0	57.2 (1452)	45 (21)	66 (30)	909U02500C	908U02500C
	240	10.4	57.2 (1452)	45 (21)	66 (30)	909U02500J	908U02500J
	277	9.0	57.2 (1452)	45 (21)	66 (30)	909U02500N	908U02500N
3000	208	14.4	65.2 (1655)	50 (23)	75 (34)	909U03000C	908U03000C
	240	12.5	65.2 (1655)	50 (23)	75 (34)	909U03000J	908U03000J
	277	10.8	65.2 (1655)	50 (23)	75 (34)	909U03000N	908U03000N
3500	208	16.8	75.2 (1909)	55 (25)	80 (37)	909U03500C	908U03500C
	240	14.6	75.2 (1909)	55 (25)	80 (37)	909U03500J	908U03500J
	277	12.6	75.2 (1909)	55 (25)	80 (37)	909U03500N	908U03500N
4000	208	19.2	83.2 (2112)	60 (27)	89 (41)	909U04000C	908U04000C
	240	16.7	83.2 (2112)	60 (27)	89 (41)	909U04000J	908U04000J
	277	14.4	83.2 (2112)	60 (27)	89 (41)	909U04000N	908U04000N

All models listed are single-phase.

Other voltages available. Consult factory.

**Standard colors - Add W for white finish or A for almond finish to the end of catalog number.**

Special or custom colors - See inside back cover for color codes to be added to end of catalog number.